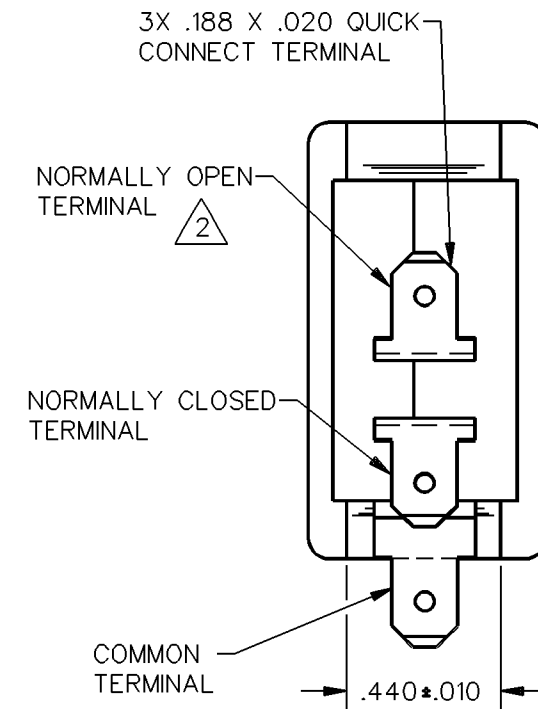
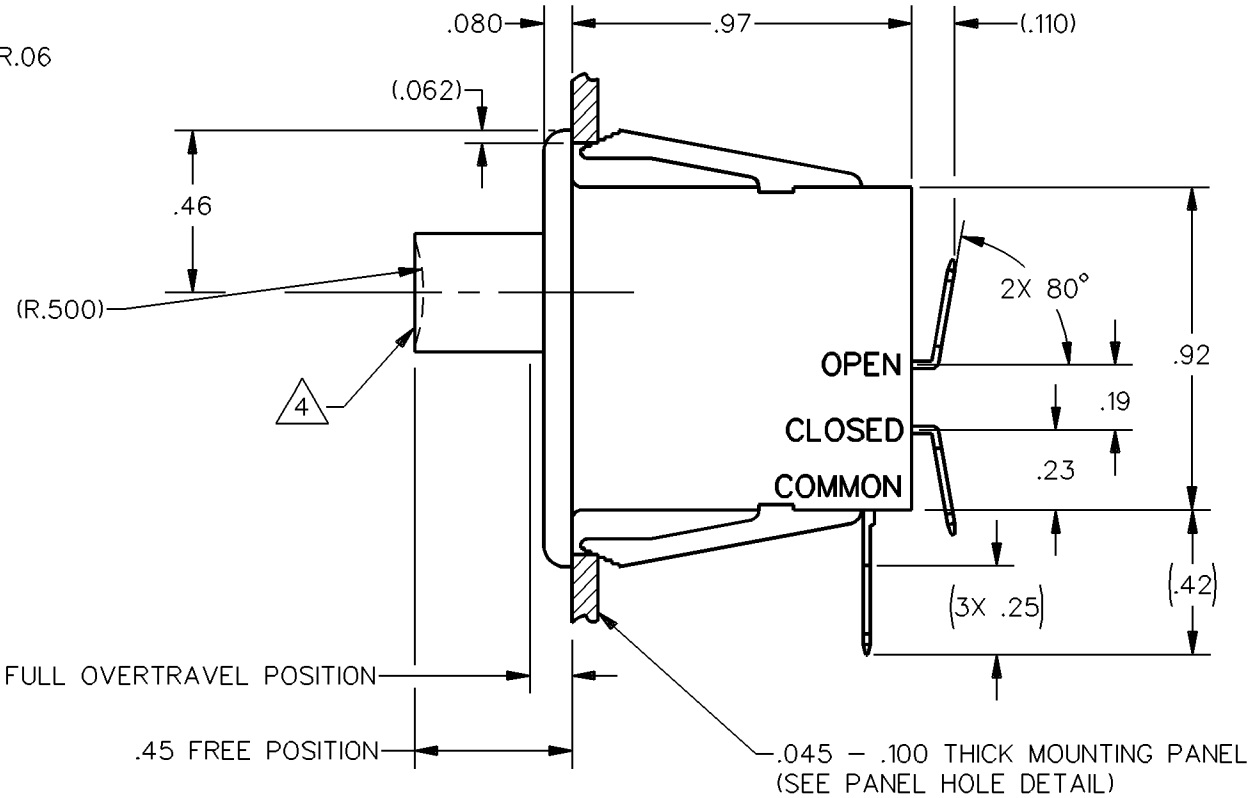
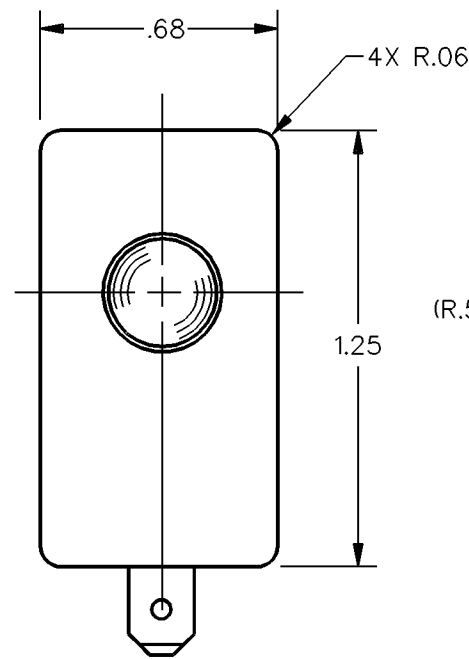
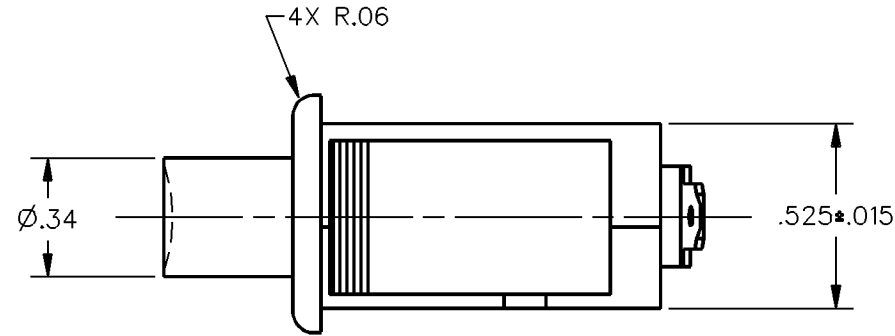
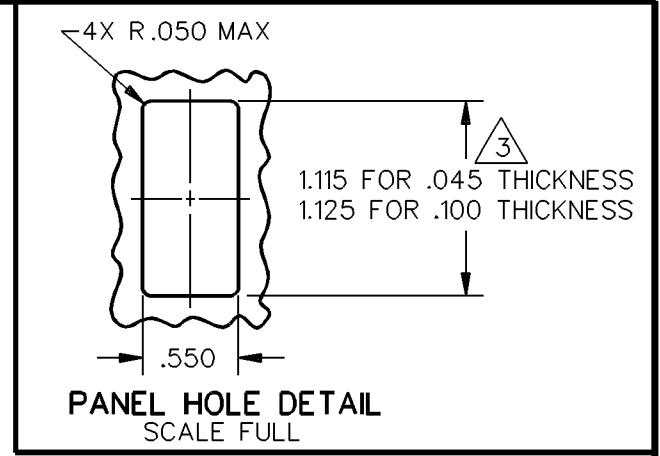


MICRO SWITCH
a Honeywell Division
FED. MFG. CODE 91929

SWITCH - BASIC

CATALOG LISTING
1DM18



CATALOG LISTING 1DM18
ISSUE 5
REPLACES SR-11087
CHECK
REVISIONS
A CO-72328
DHD
13 JUL 92
CHECK
DRAWN DDM/CAD
DHD
13 JUL 92
CHECK

THIS DRAWING COVERS A PROPRIETARY ITEM AND IS THE PROPERTY OF MICRO SWITCH, A DIVISION OF HONEYWELL. THIS DRAWING IS NOT TO BE COPIED OR USED WITHOUT THE APPROVAL OF MICRO SWITCH

THIRD ANGLE PROJECTION

SCALE 2 TO 1

DO NOT SCALE PRINT

UNLESS OTHERWISE SPECIFIED TOLERANCES ARE

ONE PLACE	(.0)	± .030
TWO PLACE	(.00)	± .015
THREE PLACE	(.000)	± .005
ANGLES		± 5°
WEIGHT		

CHARACTERISTICS	ELECTRICAL DATA
OPERATING FORCE - - - - - 15 OZ MAX	CONTACT ARRANGEMENT S P D T
	L181 10A 1/2HP 125, 250 OR 277 VAC

- NOTES
- 1 - GRAY PLASTIC CASE AND BLACK PLASTIC PLUNGER
 - 2 - FLAG STYLE QUICK CONNECT RECEPTACLE REQUIRED FOR NORMALLY OPEN TERMINAL IF SWITCH IS WIRED BEFORE MOUNTING
 - 3 - NOMINAL CUTOUT DIMENSION FOR PANELS BETWEEN .045 AND .100 SHOULD BE INTERPOLATED BETWEEN 1.115 AND 1.125
 - 4 - PUSH TO OPERATE - MOMENTARY

ANSI Y14.5M-1982 APPLIES